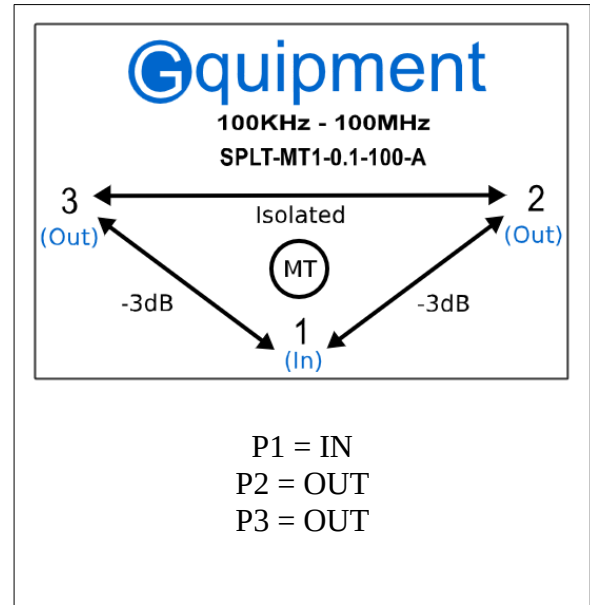
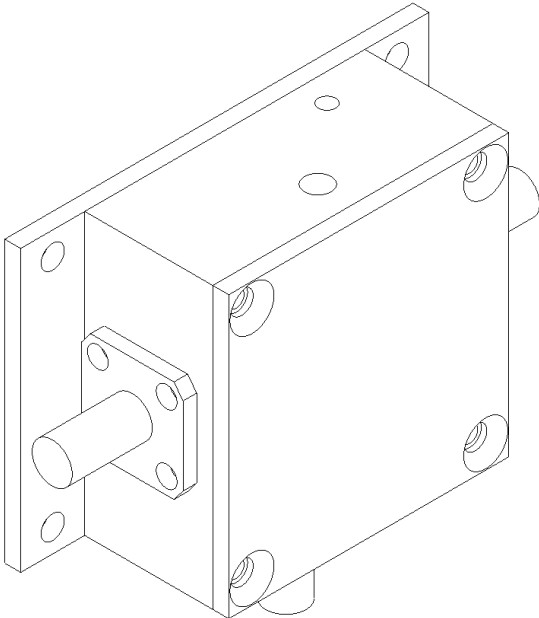


## SPLT-MT1-0.1-100-A-XX Power splitter / combiner



### Features

- Power splitter / combiner
- Frequency range : 0.1 - 100 MHz
- Insertion loss : 3 dB
- High isolation
- 3 SMA ports
- Very low return loss
- Solid aluminium case
- RoHS compliant

### Applications

- MF and HF frequency applications
- Test equipment

### General description

This three-port device splits power applied to one port (P1) between the other two (P2, P3). Conversely it can be used to combine two signals. Insertion loss (S21, S31) is designed to be 3 dB while maintaining a high degree of isolation between port 2 and 3.

The splitter/combiner is designed for 50 ohm systems and exhibits a very low return loss at all SMA ports.

The splitter is housed in a milled aluminium enclosure.

## Specifications

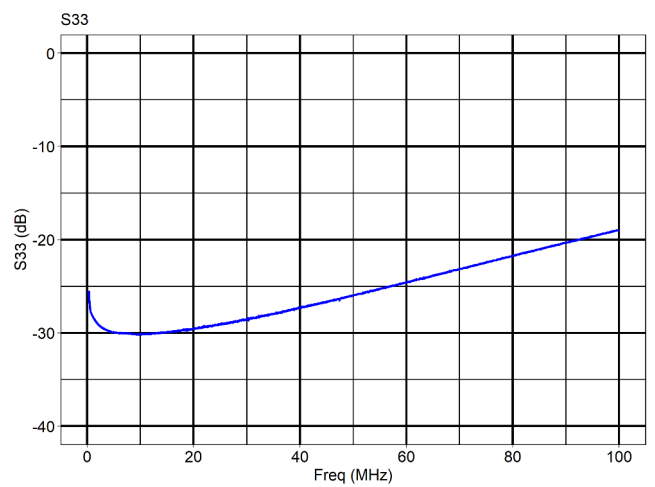
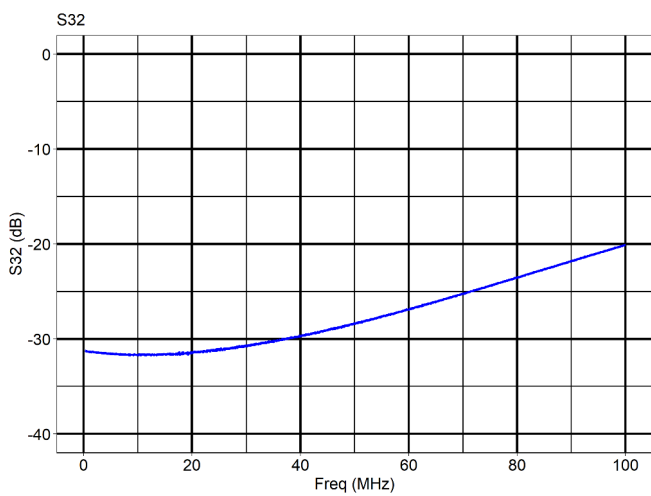
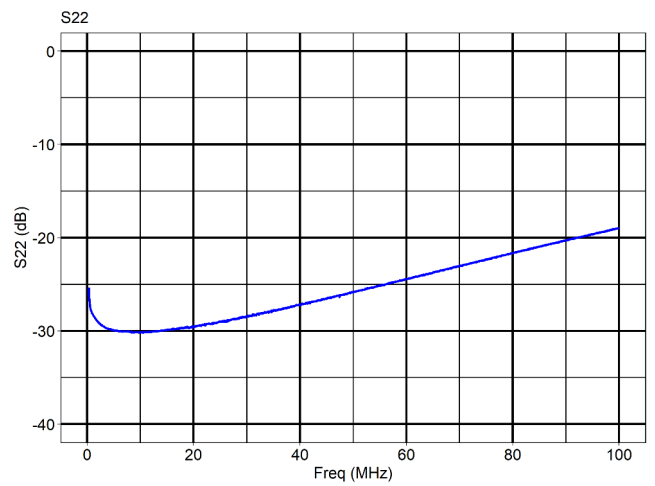
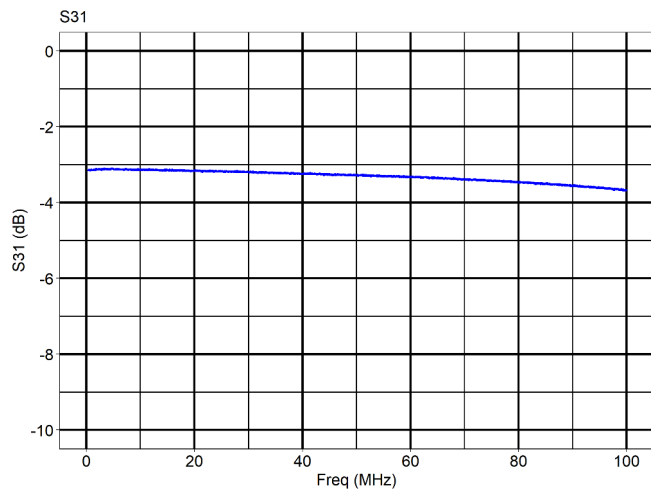
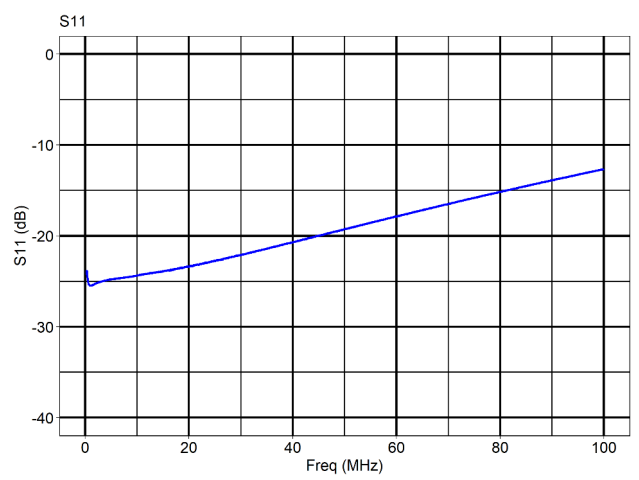
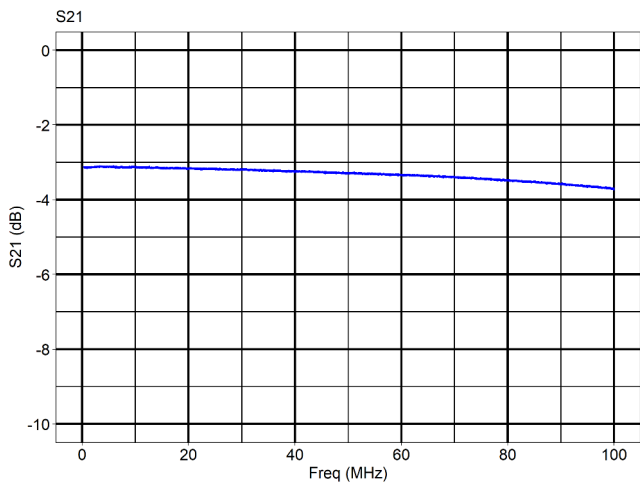
### General

Item	Value	Tolerance	Dimension
Bandwidth (+0 , -1.0 dB)	0.05 - 100	-	MHz
Amplitude imbalance (0.05 - 90 MHz)	0.1		dB
Maximum signal power	0.2	-	W
Number of (female) SMA connector ports	3	-	-
Box weight SPLT-MT1-0.1-100-A-..	0.056 (..YF-01) 0.053 (..NF-01)		kg
Outer dimensions (width x depth x height)	35 x 35 x 20	0.1	mm

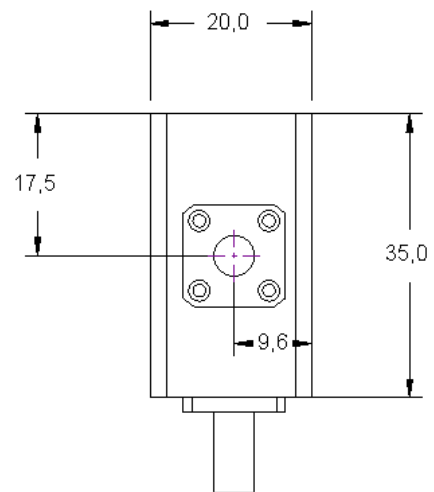
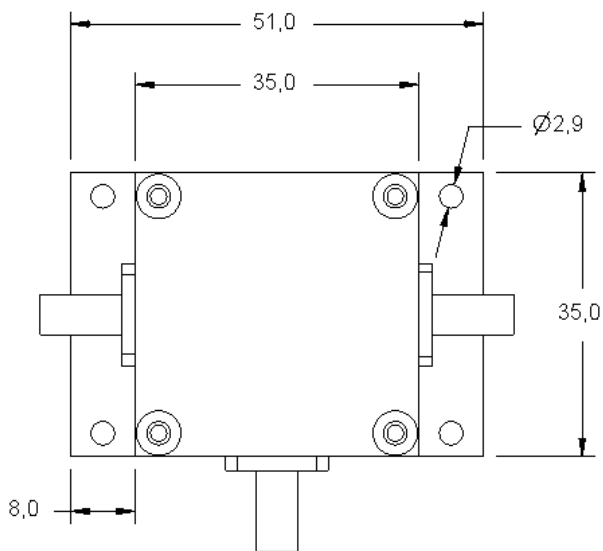
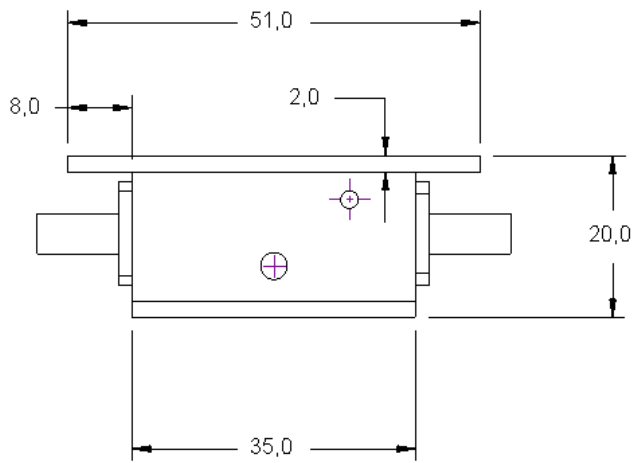
### Versions

Type	Feature
SPLT-MT1-0.1-100-A- <b>NF</b>	Box without mounting flange
SPLT-MT1-0.1-100-A- <b>YF</b>	Box with mounting flange

## S-parameters



## Enclosure Drawings



Note1 : All measures in mm. Tolerance : 0.1 mm.

Note2 : Drawing shows the SPLT-MT1-0.1-100-A-YF version only. However, all dimension for the version SPLT-MT1-0.1-100-A-NF are identical with the exception of the mounting flanges at the bottom side of the box, which don't exist in the '-NF version.



## Revision history

Revision	Status	Date
003	Released	September 19, 2020

## Legal

Specifications are subject to change without notice.

[www.gequipment.com](http://www.gequipment.com)