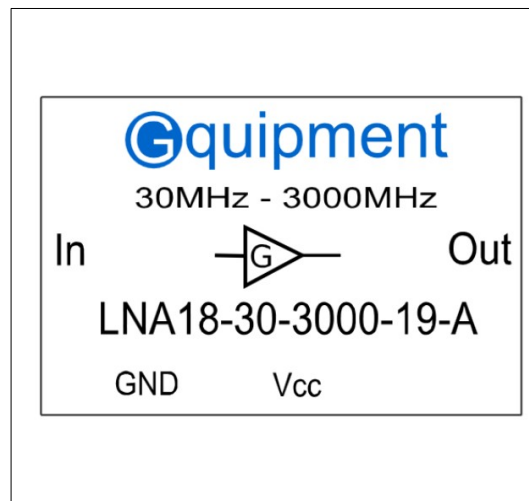
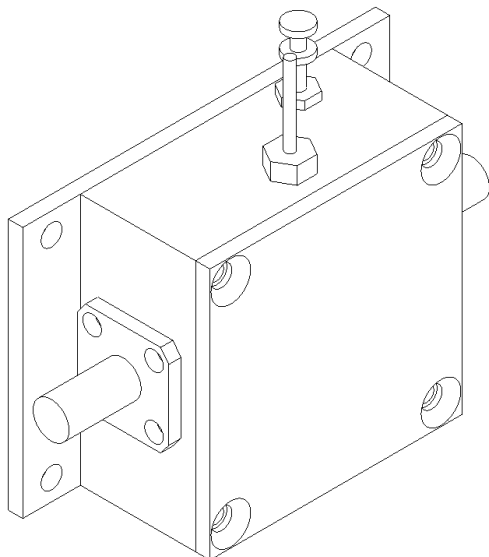


LNA18-30-3000-19-A-XX Low Noise Amplifier, 30MHz – 3000MHz, 19dB



Features

- Frequency range : 30 Mhz – 3 GHz
- Gain : 19 dB
- Noise figure < 1.8 dB
- Power supply
 - 3.5 – 6.5V, 55 mA
- Good linearity
 - IP3 : 35 dBm
 - IP1 : 19 dBm
- Very low return loss
- Solid aluminium case
- RoHS compliant

Applications

- HF, VHF and UHF frequencies
- Test equipment
- Low noise front end
- Broadband applications
- Gain stage

General description

The LNA-18-30-3000-20-A is a broadband low noise amplifier. The module is designed to provide a very flat frequency response over its operating range. The input and output impedances are well matched to 50 ohms over the frequency range too.

Its high linearity and output power capability make it a versatile amplifier module.

The amplifier is temperature compensated and its input voltage is regulated.

The LNA is housed in a milled aluminium enclosure which functions both as an EMC shield and heatsink.

Specifications

General

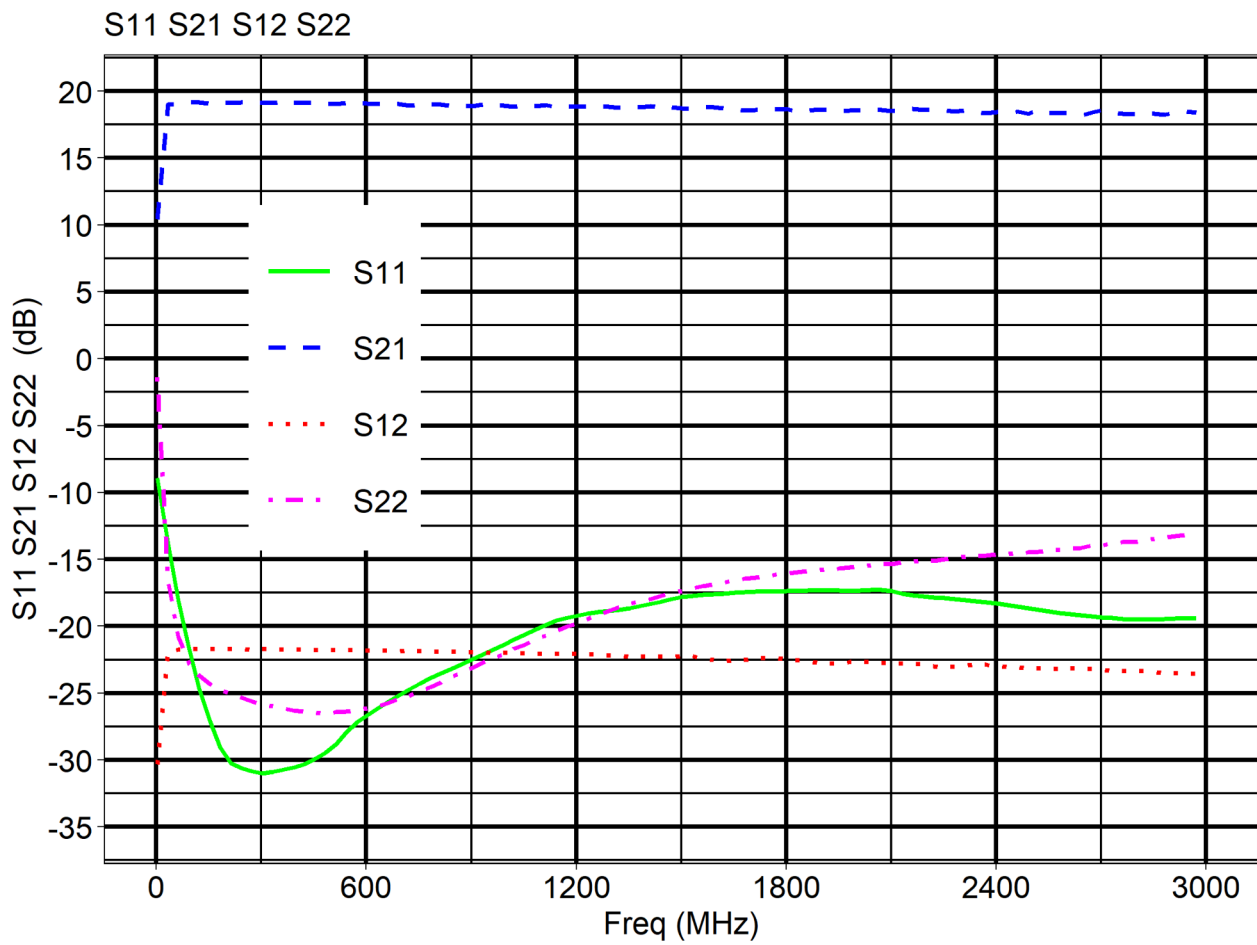
Item	Value	Tolerance	Dimension
Bandwidth (+0, -1dB)	30-3000	-	MHz
Gain (S_{21})	19	1	dB
IP3 0.05 – 1.2 GHz 1.2 – 3.0 GHz	33 40	1 1	dBm dBm
IP1 0.05 – 1.2 GHz 1.2 – 3.0 GHz	17 15.5	1 1	dBm dBm
Noise Figure 30 – 3000 MHz	1.8	0.1	dB
Power supply voltage	3.5 – 6.5		V
Power consumption, typical	55	-	mA
Number of (female) SMA connector ports	2	-	-
Box weight LNA-28-20-1000-20-A-..	0.055 (..YF-01) 0.052 (..NF-01)		kg
Outer dimensions (width x depth x height)	35 x 35 x 20	0.1	mm

All specifications apply at an operating temperature of 25 °C.

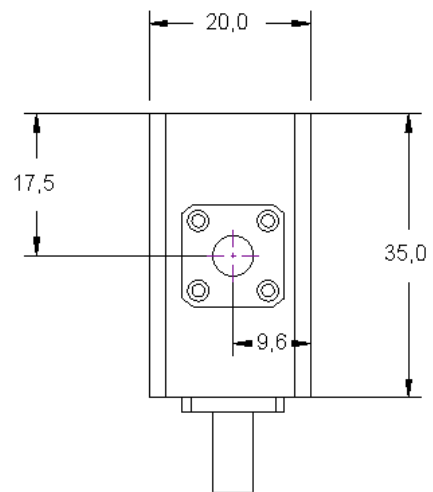
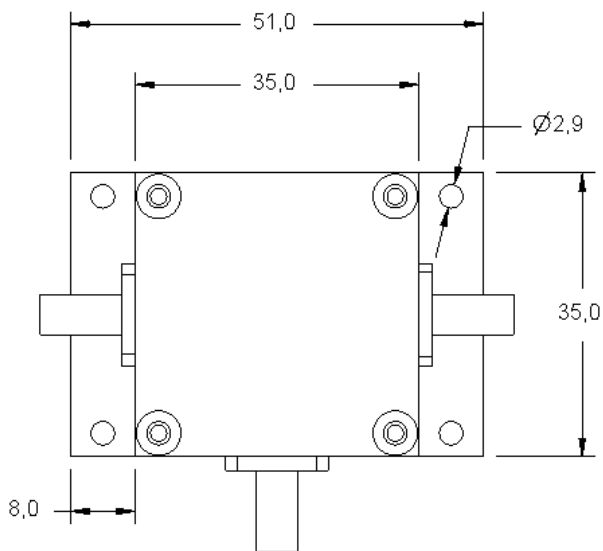
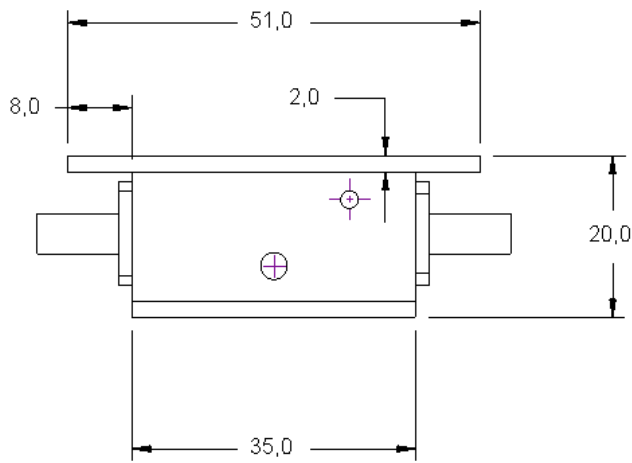
Versions

Type	Feature
LNA-18-30-3000-19-A-NF	Box without mounting flange
LNA-18-30-3000-19-A-YF	Box with mounting flange

S-parameters



Enclosure Drawings



Note1 : All measures in mm. Tolerance : 0.1 mm.

Note2 : Drawing shows the LNA-18-30-3000-19-A--YF version only. However, all dimension for the version LNA-18-30-3000-19-A--NF are identical with the exception of the mounting flanges at the bottom side of the box, which don't exist in the '-NF version.



Revision history

Revision	Status	Date
003	Released	October, 04, 2020

Legal

Specifications are subject to change without notice.

www.gequipment.com