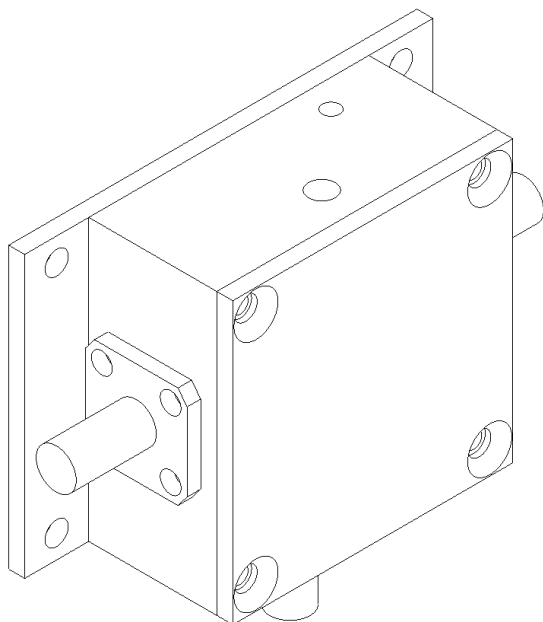
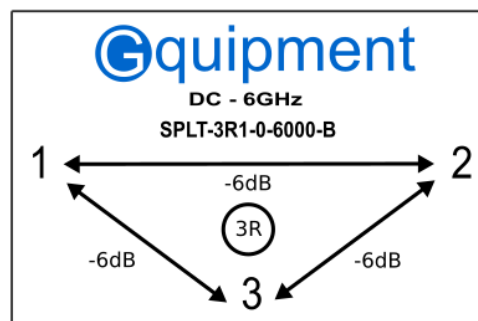


SPLT-3R1-0-6000-B-XX Power Splitter / Combiner - Resistive



Function description (S-parameters matrix) for the splitter modelled as a three port device.

$$\begin{pmatrix} 0 & 0.5 & 0.5 \\ 0.5 & 0 & 0.5 \\ 0.5 & 0.5 & 0 \end{pmatrix}$$



Features

- Resistive power splitter / combiner
- Frequency range : 0 Hz - 6 GHz
- 6 dB insertion loss and isolation
- 3 SMA ports
- Very low return loss
- Solid aluminium case
- RoHS compliant

Applications

- Radio-frequency and Microwave applications
- Test equipment

General description

This three-port device splits power applied to one port between the other two. Conversely it can be used to combine two signals. Insertion loss and isolation between any two ports is 6 dB.

The splitter/combiner is designed for 50 ohm systems and exhibits a very low return loss at all SMA ports.

The splitter is housed in a milled aluminium enclosure.

Specifications

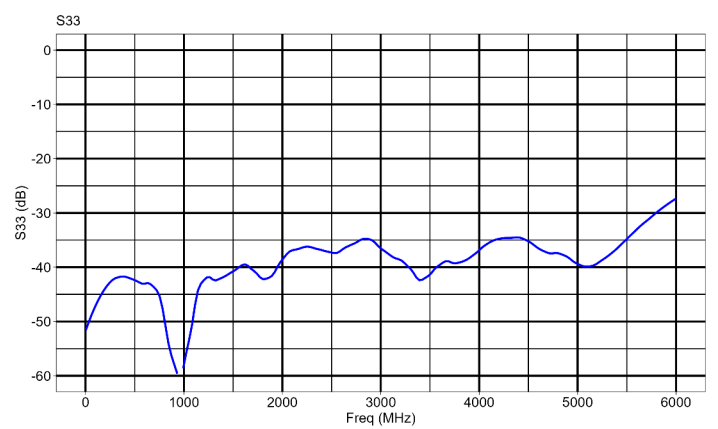
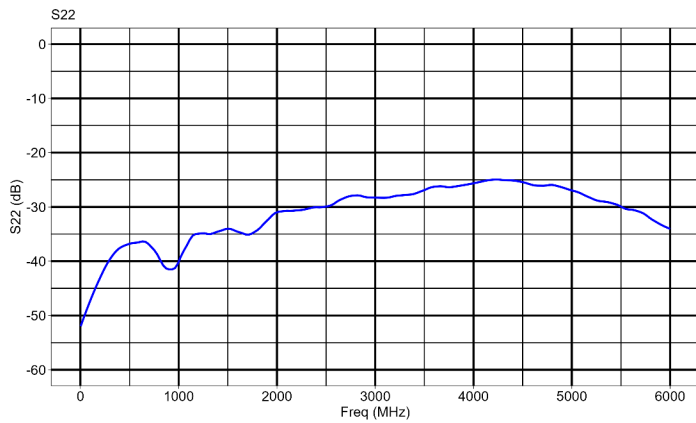
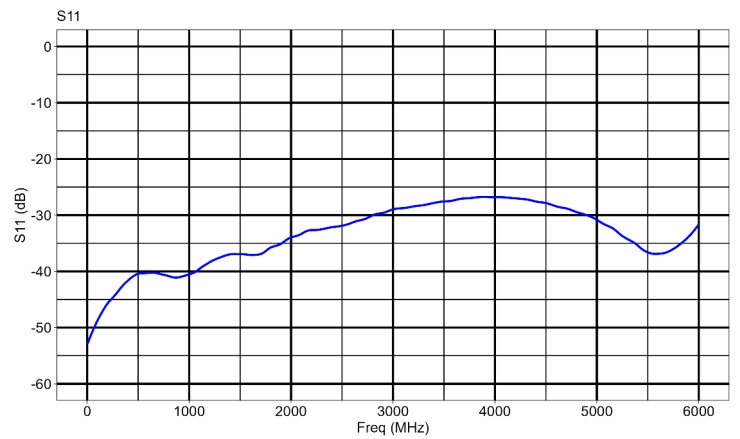
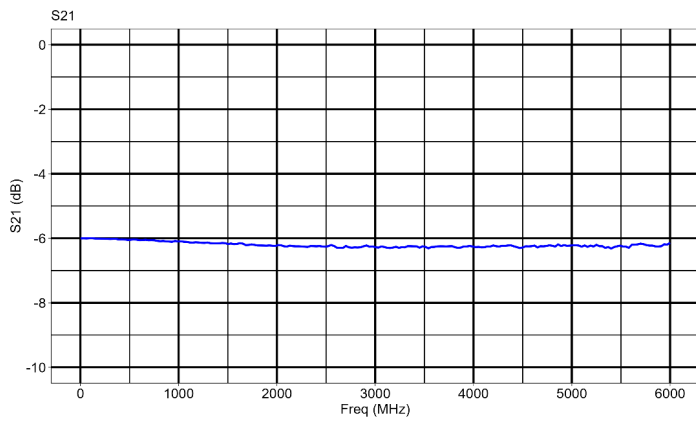
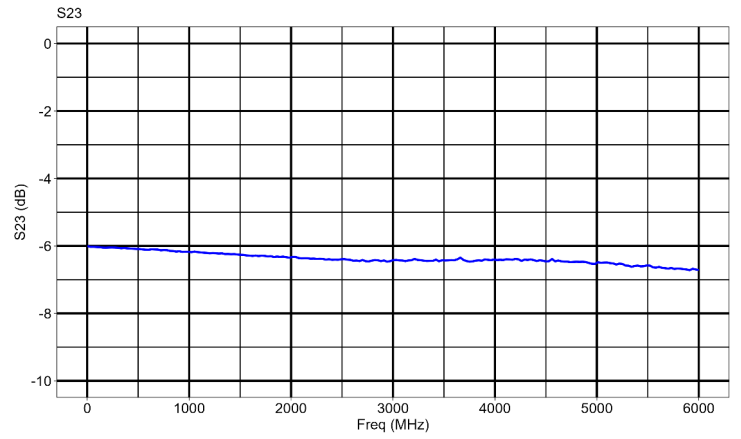
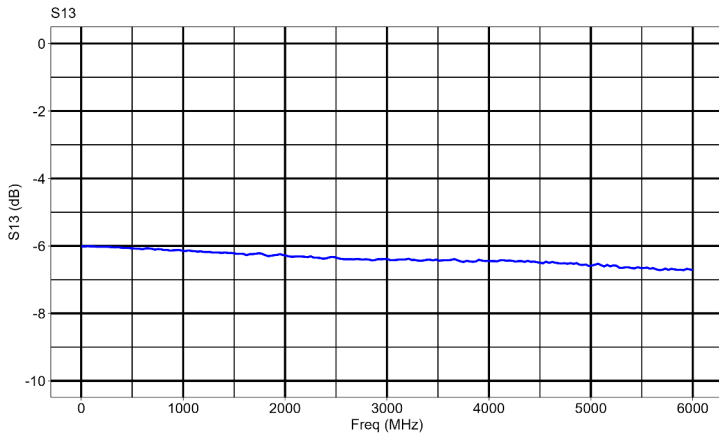
General

Item	Value	Tolerance	Dimension
Frequency range	0Hz - 6GHz	-	-
Maximum signal power	0.3	-	W
Number of (female) SMA connector ports	3	-	-
Box weight SPLT-3R1-0-6000-B..	0.052 (..YF-01) 0.049 (..NF-01)		kg
Outer dimensions (width x depth x height)	35 x 35 x 20	0.1	mm

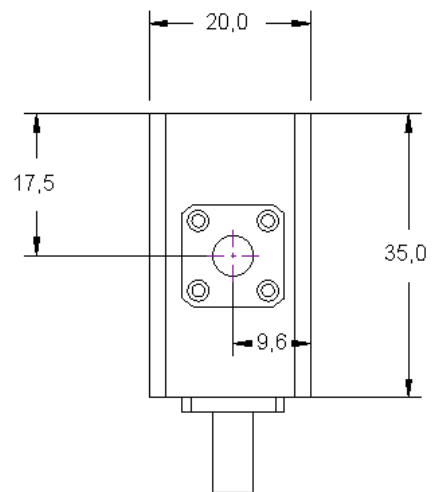
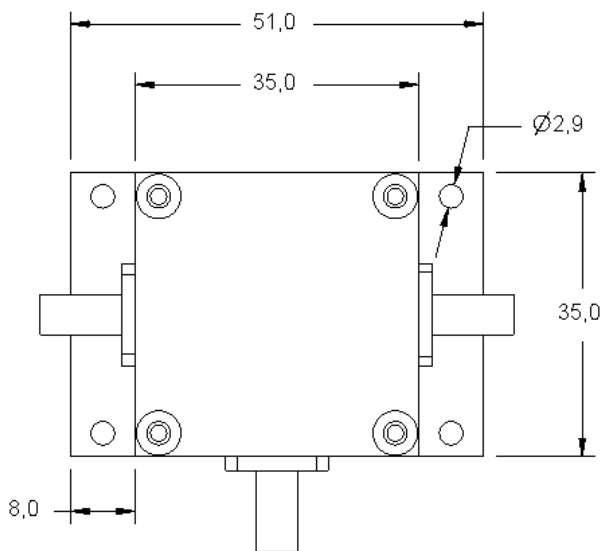
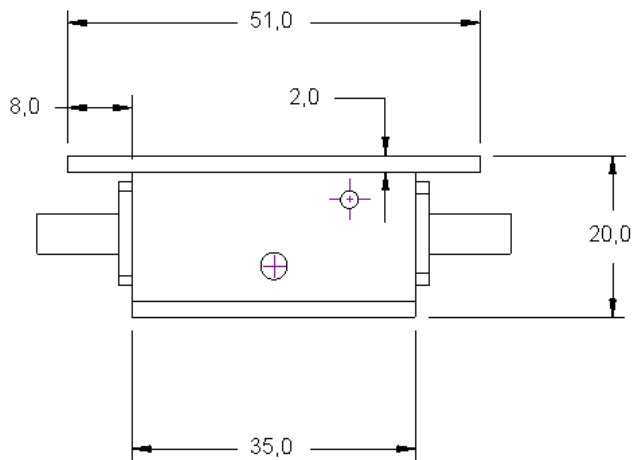
Versions

Type	Feature
SPLT-3R1-0-6000-B- NF	Box without mounting flange
SPLT-3R1-0-6000-B- YF	Box with mounting flange

S-parameters



Enclosure Drawings



Note1 : All measures in mm. Tolerance : 0.1 mm.

Note2 : Drawing shows the SPLT-3R1-0-6000-B-YF version only. However, all dimension for the version SPLT-3R1-0-6000-B-NF are identical with the exception of the mounting flanges at the bottom side of the box, which don't exist in the '-NF version.



Revision history

Revision	Status	Date
000	Released	January 06, 2024

Legal

Specifications are subject to change without notice.

www.gequipment.com