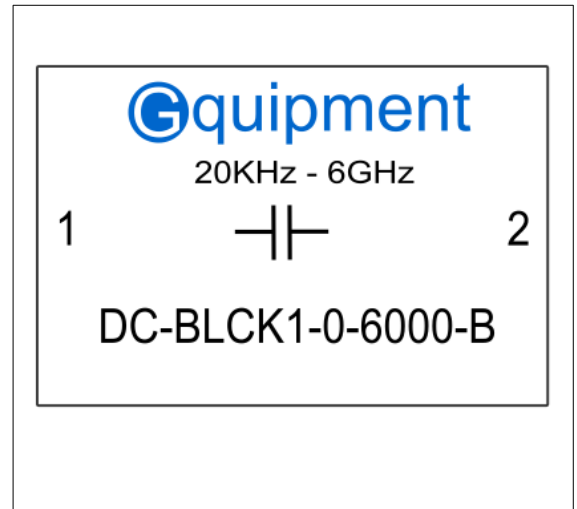
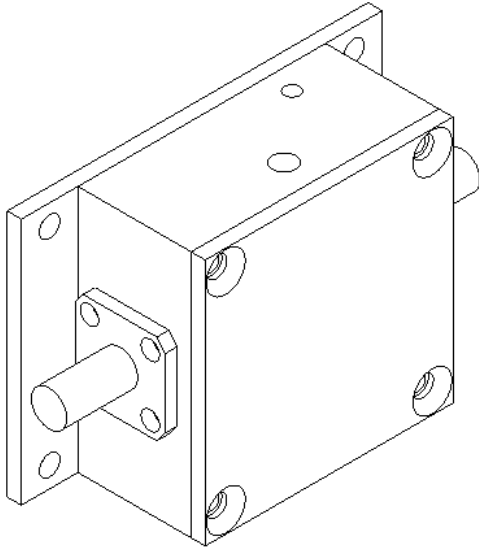


## DC Block 20KHz – 6GHz, BLCK-DC1-0-6000-B-XX



### Features

- Frequency range : 20 KHz – 6 GHz
- 2 SMA ports
- Very low return loss
- Solid aluminium case
- RoHS compliant

### Applications

- Equipment protection
- Test systems

### General description

The DC-BLCK1-0-6000-B blocks DC content from an AC signal. It is used to protect sensitive equipment or to minimize DC signals

that would otherwise influence the performance of the system or stage the signal is fed to.

The DC block is designed for 50 ohm systems and exhibits a very low return loss at both SMA ports.

The DC block is housed in a milled aluminium enclosure.

## Specifications

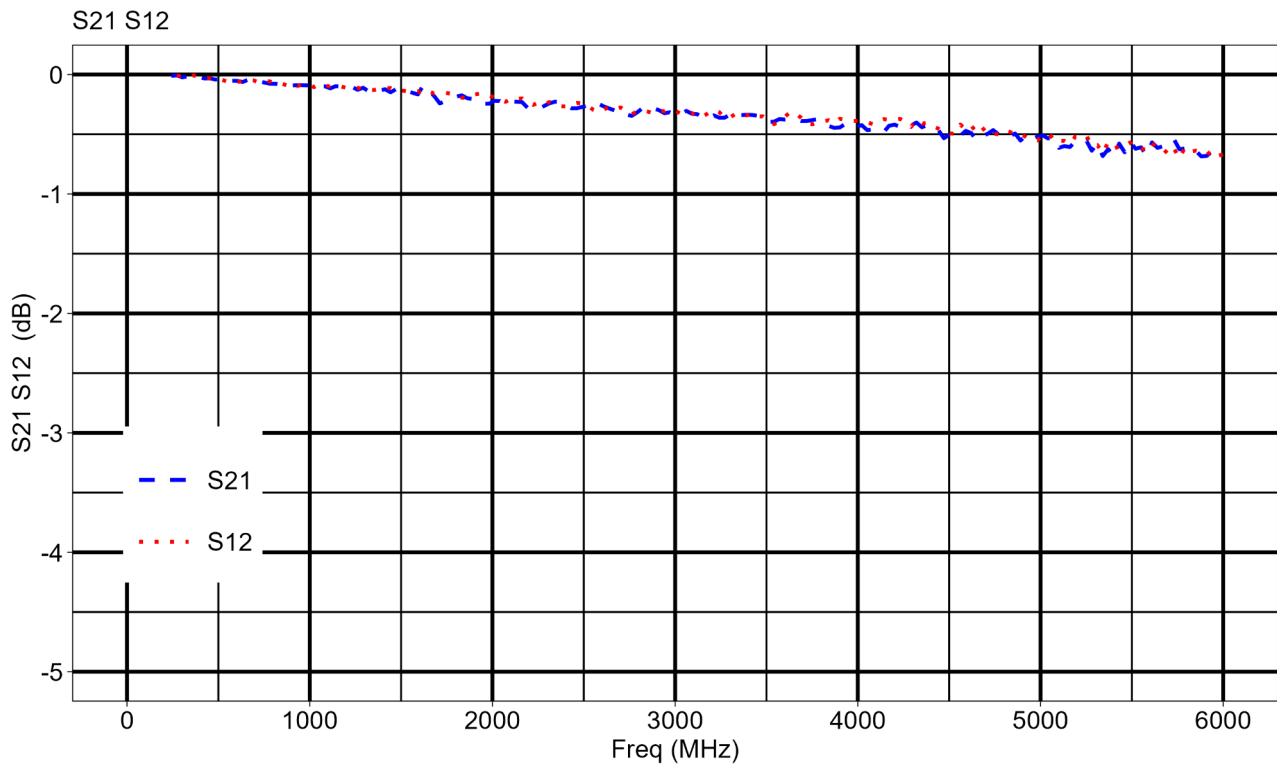
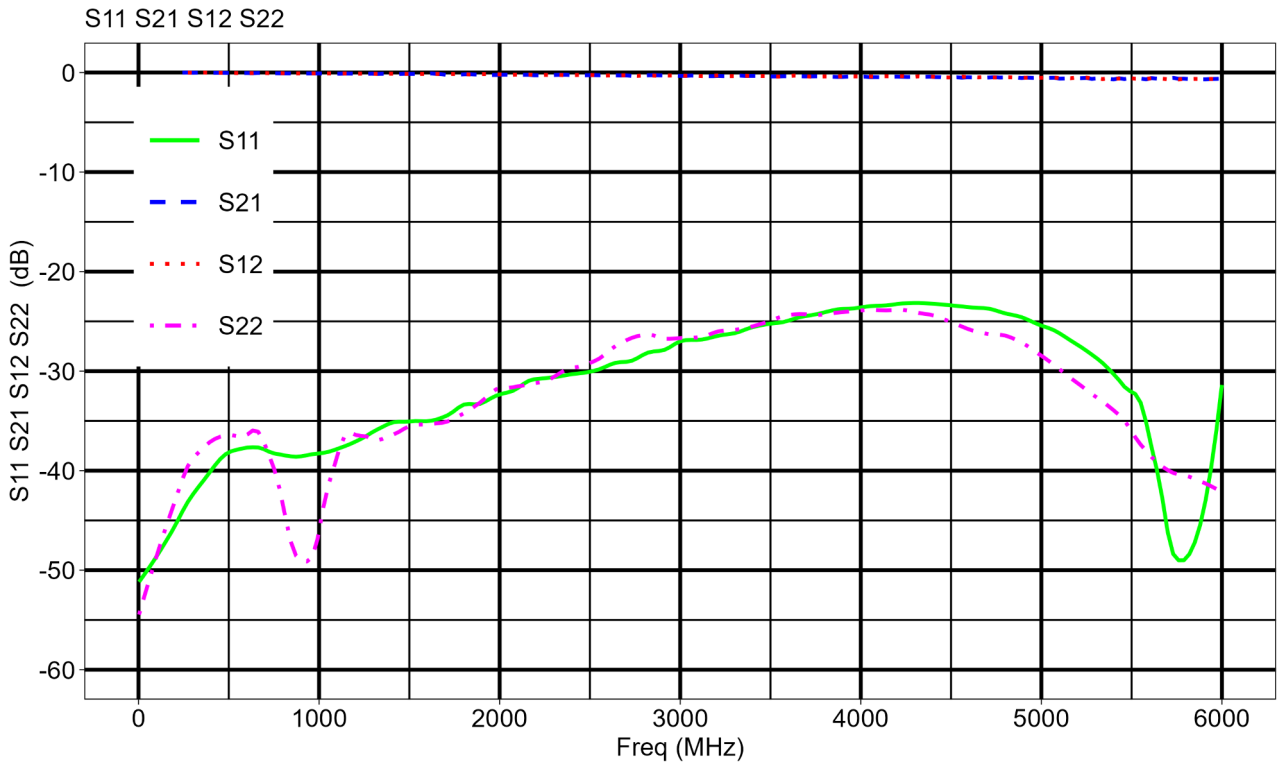
### General

Item	Value	Tolerance	Dimension
Frequency range	20 KHz – 6 GHz	-	-
Attenuation at 20KHz (@ 50 Ohms)	-3	-	dB
Maximum voltage	50	-	V
Number of (female) SMA connector ports	2	-	-
Box weight DC-BLCK1-0-5000-A-..	0.050 (..YF-01) 0.055 (..NF-01)		kg
Outer dimensions (width x depth x height)	35 x 35 x 20	0.1	mm

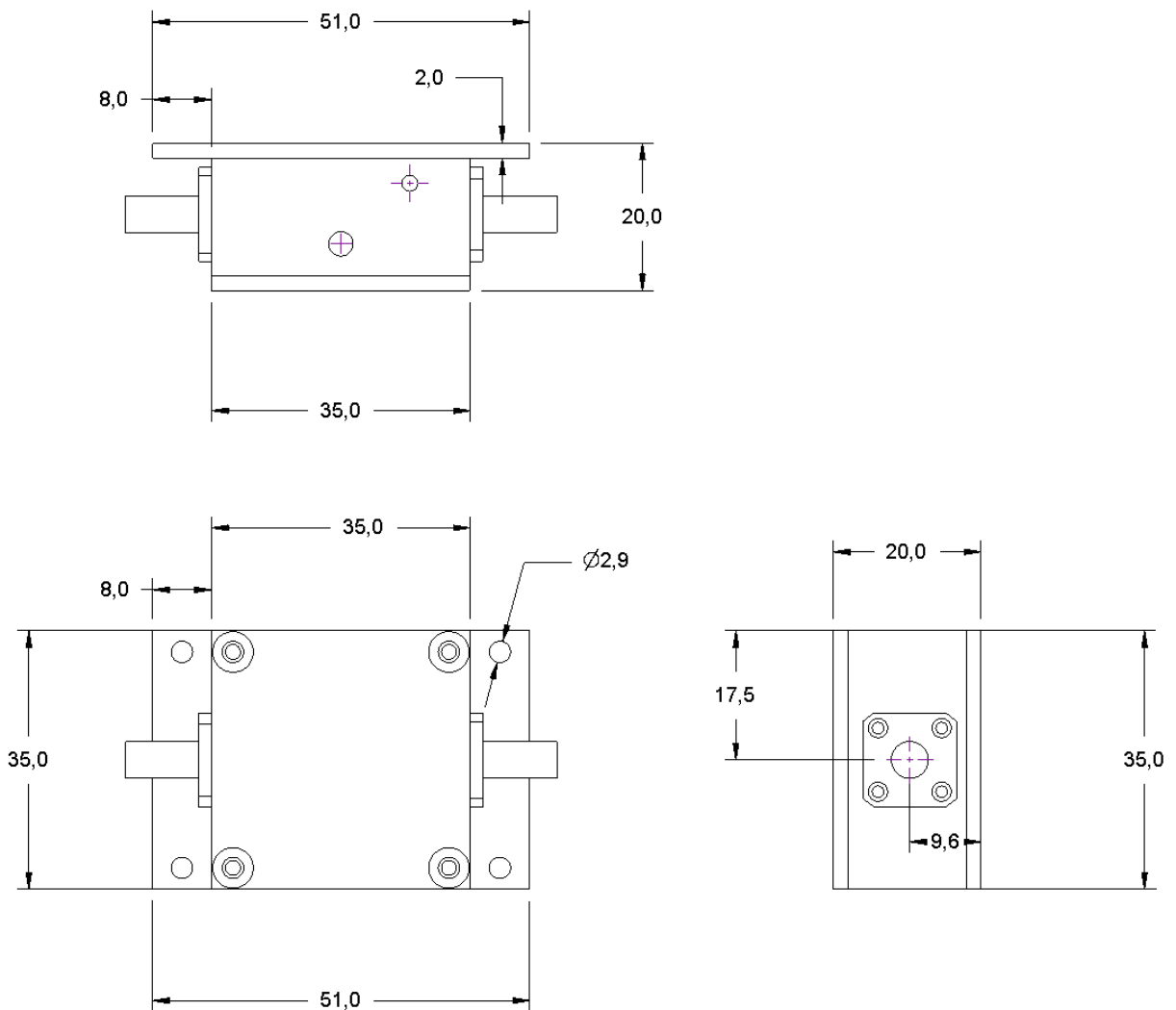
### Versions

Type	Feature
DC-BLCK1-0-6000-B- <b>NF</b>	Box without mounting flange
DC-BLCK1-0-6000-B- <b>YF</b>	Box with mounting flange

## S-parameters



## Enclosure Drawings



Note1 : All measures in mm. Tolerance : 0.1 mm.

Note2 : Drawing shows the DC-BLCK1-0-6000-B-YF version only. However, all dimension for the version DC-BLCK1-0-6000-B-NF are identical with the exception of the mounting flanges at the bottom side of the box, which don't exist in the '-NF version.



## Revision history

Revision	Status	Date
000	Released	February 25, 2024

## Legal

Specifications are subject to change without notice.

[www.gequipment.com](http://www.gequipment.com)